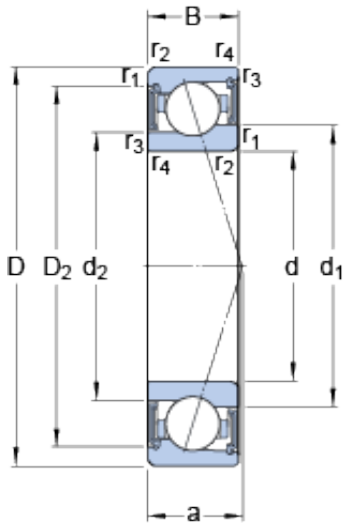




NTN BEARING-SUDAMERICANA, S.A.



55 mm x 80 mm x 13 mm SKF S71911 CE/HCP4A Angular contact ball bearing

Bearing No. S71911 CE/HCP4A

S71911 CE/HCP4A Bearing 2D drawings and 3D CAD models

| | |
|---|-------------|
| Size | 80x55x13 mm |
| Bore Diameter | 80 mm |
| Outer Diameter | 55 mm |
| Width | 13 mm |
| d | 55 mm |
| D | 80 mm |
| B | 13 mm |
| d ₁ | 62.75 mm |
| d ₂ | 60.7 mm |
| D ₂ | 74.7 mm |
| r _{1,2} - min. | 1 mm |
| r _{3,4} - min. | 0.3 mm |
| a | 16.2 mm |
| d _a - min. | 59.6 mm |
| d _a - max. | 62.2 mm |
| d _b - min. | 57 mm |
| d _b - max. | 60.1 mm |
| D _a - max. | 75.4 mm |
| D _b - max. | 78 mm |
| r _a - max. | 1 mm |
| r _b - max. | 0.3 mm |
| Basic dynamic load rating - C | 15.3 kN |
| Basic static load rating - C ₀ | 10.6 kN |
| Fatigue load limit - P _u | 0.455 kN |



NTN BEARING-SUDAMERICANA, S.A.

| | |
|---------------------------------------|--------------|
| Limiting speed for grease lubrication | 28000 r/min |
| Ball - D_w | 7.938 mm |
| Ball - z | 21 |
| Calculation factor - f_0 | 8.4 |
| Preload class A - G_A | 83 N |
| Preload class B - G_B | 250 N |
| Preload class C - G_C | 500 N |
| Calculation factor - f | 1.16 |
| Calculation factor - f | 1 |
| Calculation factor - f_{2A} | 1 |
| Calculation factor - f_{2B} | 1.05 |
| Calculation factor - f_{2C} | 1.09 |
| Calculation factor - f_{HC} | 1.01 |
| Preload class A | 46 N/micron |
| Preload class B | 74 N/micron |
| Preload class C | 102 N/micron |
| d_1 | 62.75 mm |
| d_2 | 60.7 mm |
| D_2 | 74.7 mm |
| $r_{1,2}$ min. | 1 mm |
| $r_{3,4}$ min. | 0.3 mm |
| d_a min. | 59.6 mm |
| d_a max. | 62.2 mm |
| d_b min. | 57 mm |
| d_b max. | 60.1 mm |
| D_a max. | 75.4 mm |
| D_b max. | 78 mm |
| r_a max. | 1 mm |
| r_b max. | 0.3 mm |
| Basic dynamic load rating C | 15.3 kN |



NTN BEARING-SUDAMERICANA, S.A.

| | |
|---|----------------|
| Basic static load rating C_0 | 10.6 kN |
| Fatigue load limit P_u | 0.455 kN |
| Attainable speed for grease lubrication | 28000 r/min |
| Ball diameter D_w | 7.938 mm |
| Number of balls z | 21 |
| Preload class A G_A | 83 N |
| Static axial stiffness, preload class A | 46 N/ μ m |
| Preload class B G_B | 250 N |
| Static axial stiffness, preload class B | 74 N/ μ m |
| Preload class C G_C | 500 N |
| Static axial stiffness, preload class C | 102 N/ μ m |
| Calculation factor f | 1.16 |
| Calculation factor f_1 | 1 |
| Calculation factor f_{2A} | 1 |
| Calculation factor f_{2B} | 1.05 |
| Calculation factor f_{2C} | 1.09 |
| Calculation factor f_{HC} | 1.01 |
| Calculation factor f_0 | 8.4 |
| Mass bearing | 0.15 kg |