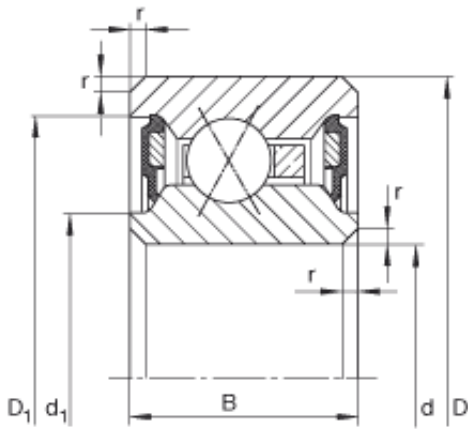




NTN BEARING-SUDAMERICANA, S.A.



5 1/2 inch x 158,75 mm x 12,7 mm INA
CSXU055-2RS Ball bearing

Bearing No. CSXU055-2RS

CSXU055-2RS Bearing 2D drawings and 3D CAD models

Size	139.7x158.75x12.7 mm
Bore Diameter	139,7 mm
Outer Diameter	158,75 mm
Width	12,7 mm
d	139,7 mm
d	5 1/2 inch
D	158,75 mm
B	12,7 mm
D ₁	153,5 mm
d ₁	143,5 mm
r _{min}	0,38 mm
m	0,34 kg / Weight
C _r	11600 N / Dynamic load rating (radial)
C _{0r}	19600 N / Static load rating (radial)
Category	Angular Contact Ball Bearings
Inventory	0.0
Manufacturer Name	SCHAEFFLER GROUP
Minimum Buy Quantity	N/A
Weight / Kilogram	0.33
EAN	4047643179911
Product Group	B00308
Enclosure	2 Seals
Flush Ground	No



NTN BEARING-SUDAMERICANA, S.A.

Rolling Element	Ball Bearing
Number of Rows of Balls	Single Row
Precision Class	ABEC 1 ISO P0
Maximum Capacity / Filling Slot	No
Snap Ring	No
Cage Material	Brass
Contact Angle	35 Degree 4 Point
Internal Clearance	C0-Medium
Number of Bearings	1 (Single)
Inch - Metric	Inch
Long Description	5-1/2" Bore; 6-1/4" Outside Diameter; 1/2" Width; 2 Seals; No Flush Ground; Ball Bearing; Single Row of Balls; ABEC 1 ISO P0; No Filling Slot; No Snap Ring; C0-Medium; Brass Cage; 35
Other Features	Thin Section
Category	Angular Contact Ball Bearing
UNSPSC	31171531
Harmonized Tariff Code	8482.10.50.28
Noun	Bearing
Keyword String	Angular Contact
Manufacturer URL	http://www.ina.com
Weight / LBS	0.77
Width	0.5 Inch 12.7 Millimeter
Outside Diameter	6.25 Inch 158.75 Millimeter
Bore	5.5 Inch 139.7 Millimeter