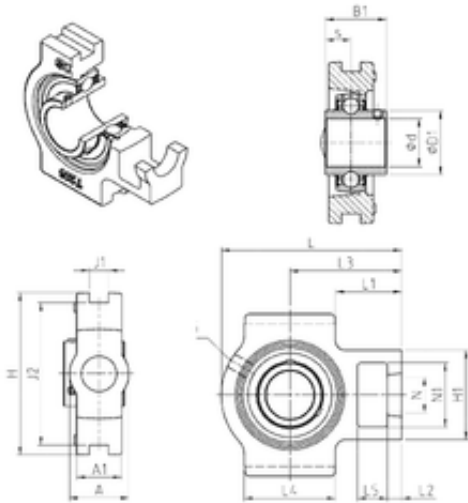




NTN BEARING-SUDAMERICANA, S.A.



SNR UCT317 Bearing unit

Bearing No. UCT317

Bore Diameter	85 mm
d	85 mm
L4	170 mm
L5	42 mm
L2	32 mm
L3	183 mm
s	40 mm
A	102 mm
A1	64 mm
B1	96 mm
D1	114 mm
H	240 mm
H1	152 mm
L	298 mm
L1	98 mm
N	53 mm
N1	98 mm
Thread (G)	M10x1
J1	32 mm
J2	214 mm
Weight	18,9 Kg
Basic dynamic load rating (C)	132,6 kN
A2	64 mm
B	96 mm
A5	56 mm
G	M10x1

UCT317 Bearing 2D drawings and 3D CAD models



NTN BEARING-SUDAMERICANA, S.A.

H2	152 mm
N2	98 mm
s1	48 mm
S	40 mm
SW	8 mm
C	132.6 kN
C0	96.5 kN
T min.	-20 ° C
T max.	100 ° C
Recommended tightening torque for set screw	64 Nm
Designation of housing	T317-
Designation of bearing	UC317G2