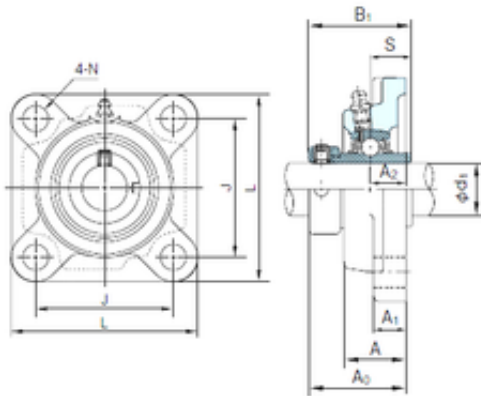




NTN BEARING-SUDAMERICANA, S.A.

NACHI UGF212 Bearing unit



Bearing No. UGF212

Bore Diameter	60 mm
d1	60 mm
A0	75.8 mm
A	48 mm
A1	20 mm
B1	77.8 mm
J	143 mm
L	175 mm
N	19 mm
S	31 mm
Bolt (G)	M16
A2	29 mm

UGF212 Bearing 2D drawings and 3D CAD models