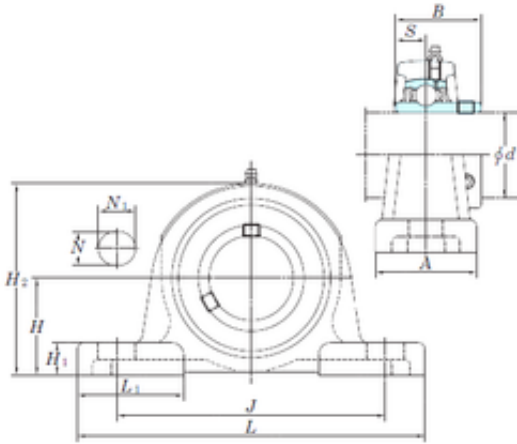




NTN BEARING-SUDAMERICANA, S.A.



UCP315 Bearing 2D drawings and 3D CAD models

KOYO UCP315 Bearing unit

Bearing No. UCP315

Bore Diameter	75 mm
Width	82 mm
d	75 mm
A	100 mm
B	82 mm
H	100 mm
H1	35 mm
H2	198 mm
J	290 mm
L	380 mm
L1	107 mm
N	27 mm
N1	40 mm
S	32 mm
Bolt (G)	M22
Weight	14,8 Kg
Basic dynamic load rating (C)	113 kN
Basic static load rating (C0)	77,2 kN
Bearing No.	UCP315
Bolt size	M22
Cr	113
C0r	77.2
f0	13.2
(Refer.)Unit mass(kg)	14.8
Nipple size	R1/8