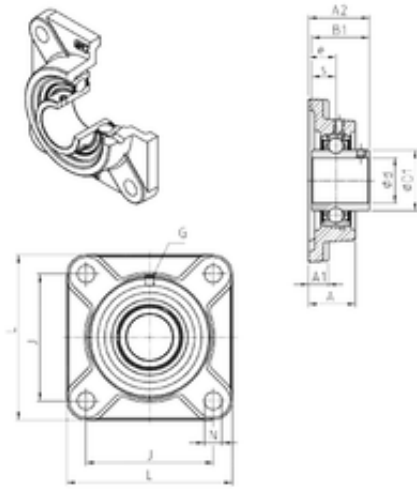




NTN BEARING-SUDAMERICANA, S.A.



SNR UCF206 Bearing unit

Bearing No. UCF206

Bore Diameter	30 mm
d	30 mm
e	18 mm
s	15,9 mm
A	31 mm
A1	13 mm
B1	38,1 mm
D1	40,3 mm
J	83 mm
L	108 mm
N	12 mm
Thread (G)	M6x1
A2	40,2 mm
Weight	1,1 Kg
Basic dynamic load rating (C)	19,5 kN

UCF206 Bearing 2D drawings and 3D CAD models