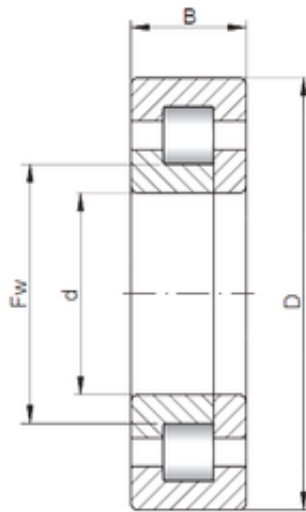




NTN BEARING-SUDAMERICANA, S.A.



95 mm x 145 mm x 24 mm ISO NUP1019
Cylindrical roller bearing

Bearing No. NUP1019

Size	95x145x24 mm
Bore Diameter	95 mm
Outer Diameter	145 mm
Width	24 mm
d	95 mm
D	145 mm
B	24 mm
C	24 mm

NUP1019 Bearing 2D drawings and 3D CAD models